

1-877-903-7246

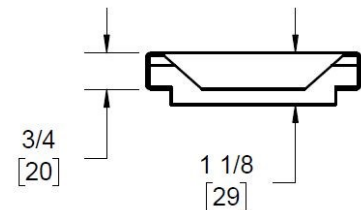
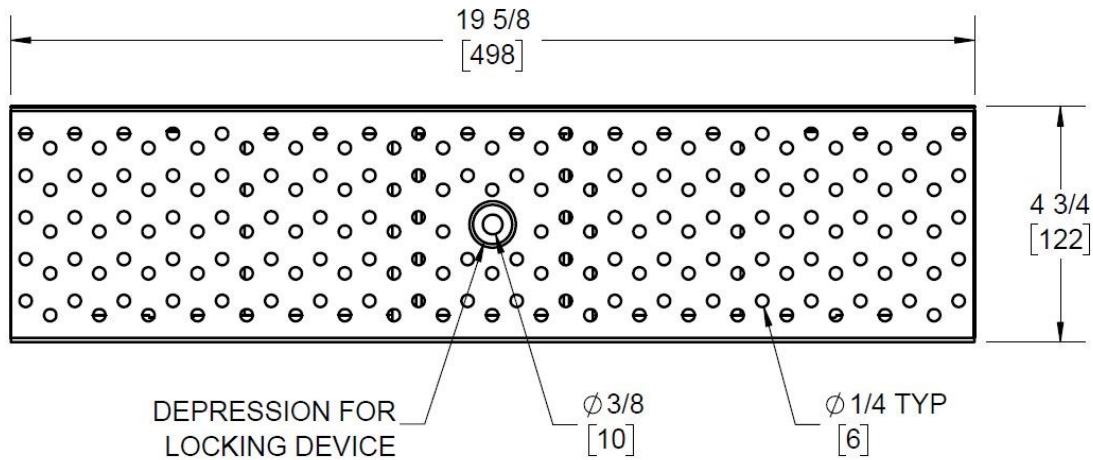


www.trenchdrainsupply.com

Number <p style="text-align: center;">100-GSP-C</p>	Series <p style="text-align: center;">CPS100 C Class Galvanized Perforated Grate Pro Plus 100</p>
--	--



NOTE:
FREE AREA IS 9.4 SQ. IN.
PER 1/2 METER GRATE



LOCKING BAR (ORDER SEPERATELY) 360141-FH

Manufacturer



Specification

JOSAM 100-GSP-C GALVANIZED STEEL PERFORATED STEEL GRATE WITH CENTER HOLE FOR LOCKING BAR SECUREMENT. MEETS CLASS C LOADING REQUIREMENTS. MEETS ADA AND HEELPROOF SLOT REQUIREMENTS. SUPPLIED BY TRENCH DRAIN SUPPLY.

DISCLAIMER - The customer and the customer's architects, engineers, consultants, and other professionals are completely responsible for the selection installation and maintenance of any product purchased from Trench Drain Supply and/or its manufacturers. TRENCH DRAIN SUPPLY MAKES NO WARRANTY, EXPRESS OR IMPLIED, AS TO THE SUITABILITY, DESIGN, MERCHANTABILITY, OR FITNESS OF THE PRODUCT FOR CUSTOMERS APPLICATION. The drawing and information provided remain the property and copyright of the manufacturer listed. The manufacturer reserves the right to modify specification without notice.